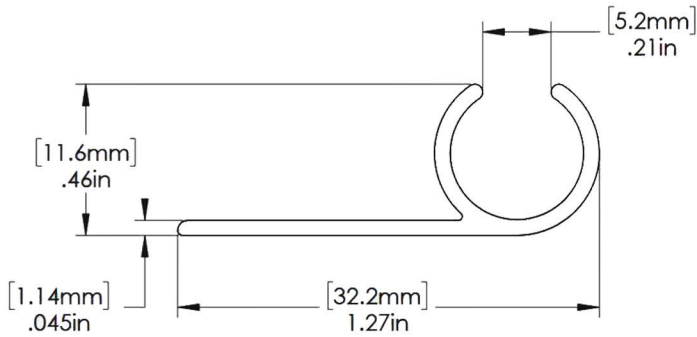


Mounting Options

Aluminium Track



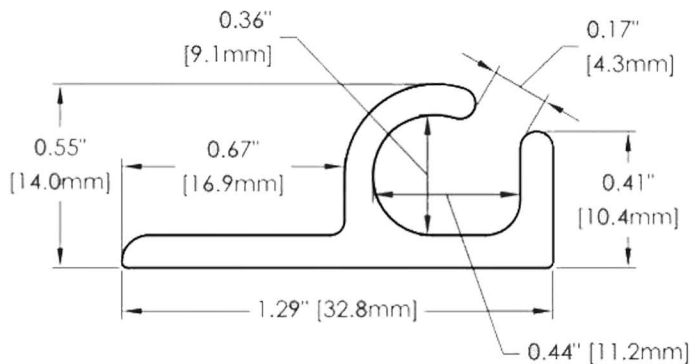
Tough clear anodized finish to protect against oxidation in the harshest indoor/outdoor conditions.



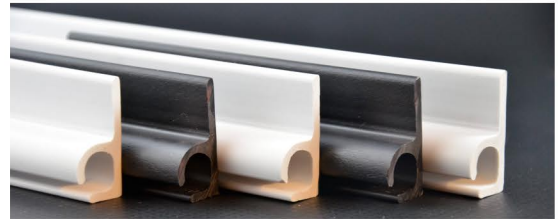
Aluminium

Can be ceiling or wall mounted.
Brick or Wood Mount

PVC Track



Rigid PVC rail is UV Treated.



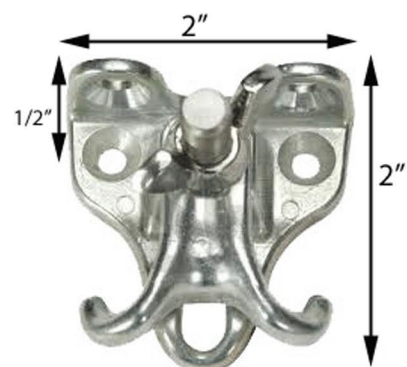
Available in Black or White
Can be ceiling or wall mounted.
Wood Mount Only

Headrod Clamps

A fixture designed for attaching the head rod of an awning to various building surfaces, as well as providing hooks for hanging awning pulleys.

Plated, malleable iron. Can be attached to either face board or ceiling.

Headrod Clamp



Can be ceiling or wall mounted.
Brick or Wood Mount.